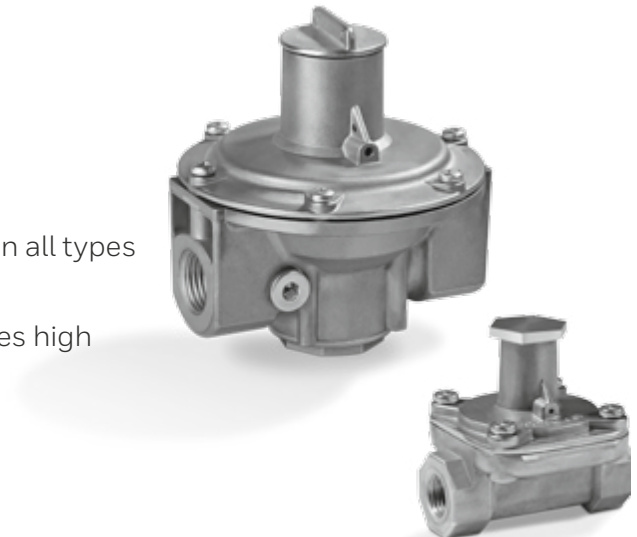


Gas pressure regulators J78R, 60DJ Z

Technical Information · GB
2 Edition 10.09l

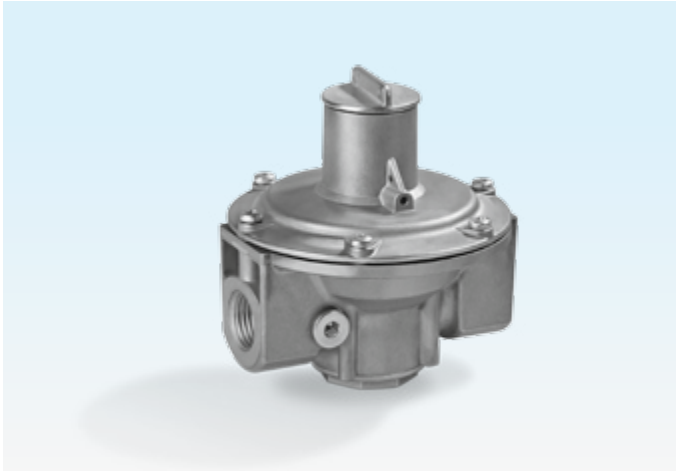
- Pressure regulators for gaseous media for installation in all types of gas appliances
- Inlet pressure compensation diaphragm in J78R ensures high control accuracy
- Breather line is not required
- EC type-tested and certified



Contents

Gas pressure regulators J78R, 60DJ Z.....	1
Contents	2
1 Application	3
1.1 Examples of application.....	4
1.1.1 Atmospheric surface burner.....	4
1.1.2 Gas trains	4
1.1.3 Pilot burner control.....	4
2 Certification	5
2.1 EC type-tested and certified.....	5
3 Function.....	6
3.1 J78R.....	6
3.2 60DJ Z	6
4 Flow rate.....	7
5 Project planning information	8
5.1 Installation.....	8
6 Technical data	9
6.1 Spring table J78R.....	9
6.2 Dimensions	10
Feedback.....	11
Contact.....	11

1 Application



J78R for use in gas trains, for example

For controlling the pressure of the gas or air supply to gas burners and gas appliances. An optional connection for pilot gas lines or pressure test points is available for the inlet of the J78R.

The pressure regulators comply with the requirements of EN 88, Class A, Group 2.



60DJ Z is primarily used on pilot burners

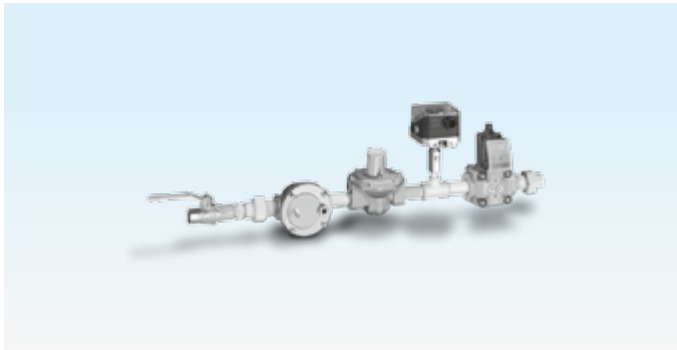
1.1 Examples of application

1.1.1 Atmospheric surface burner



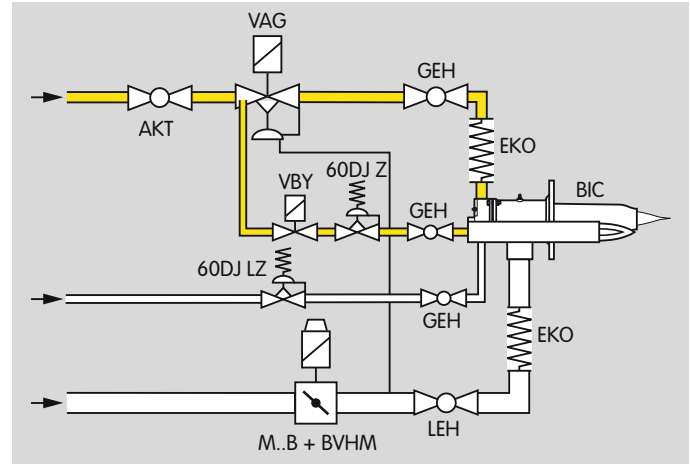
To maintain a constant gas pressure on gas surface burners with an inlet pressure of less than 100 mbar.

1.1.2 Gas trains

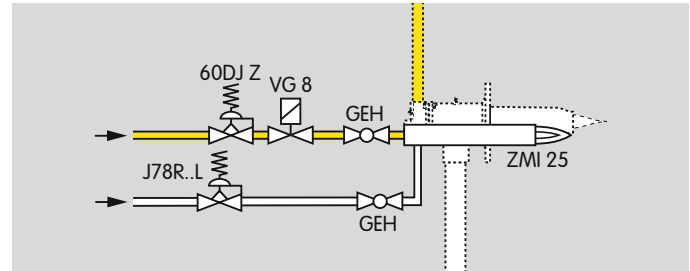


Control of the gas pressure in gas inlet sections up to 100 mbar.

1.1.3 Pilot burner control



The 60DJ Z can be used in the gas circuit to control a pilot burner. For air, use the 60DJ LZ.



Alternatively, pressure regulator J78R..L can be used in the air circuit for higher capacities.

2 Certification

2.1 EC type-tested and certified

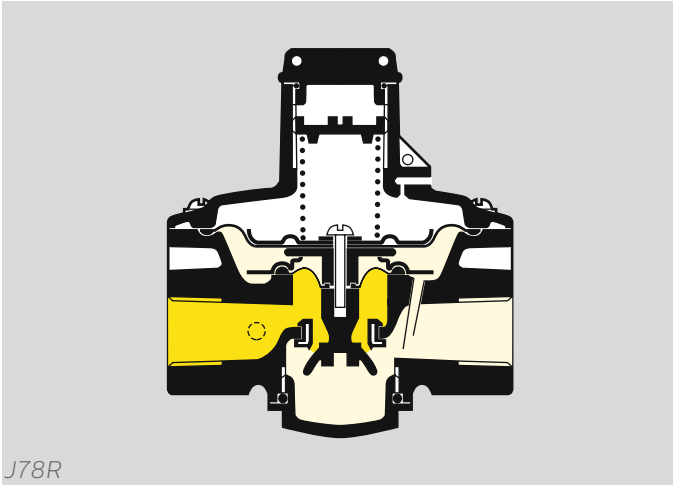


Certified to

- Gas Appliances Directive (90/396/EEC) in conjunction with EN 88, Class A, Group 2.
- J78R..L and 60DJ LZ (for air) need not be approved.

3 Function

3.1 J78R



Spring-loaded pressure regulator with inlet pressure compensation diaphragm and zero shut-off

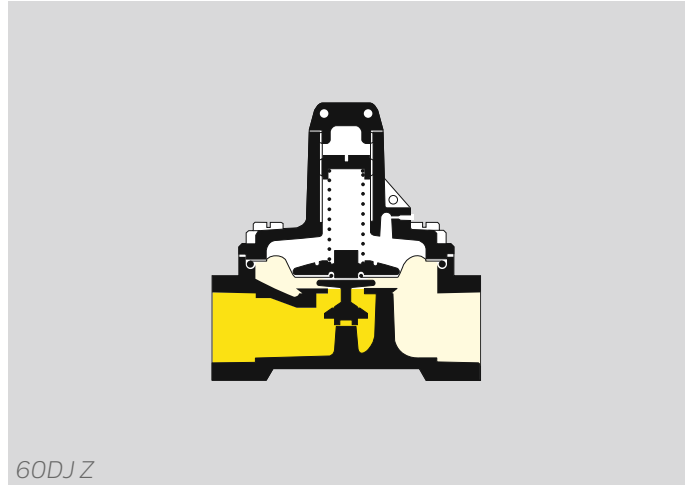
The outlet pressure is maintained constant despite changing gas flow rates, depending on the setting of the setpoint spring. Different springs can be used to obtain various outlet pressure ranges.

The inlet pressure compensation diaphragm ensures high control accuracy with changing supply pressures.

The zero shut-off limits an increase in the outlet pressure when the consumer is switched off.

A breather line is not required.

3.2 60DJ Z

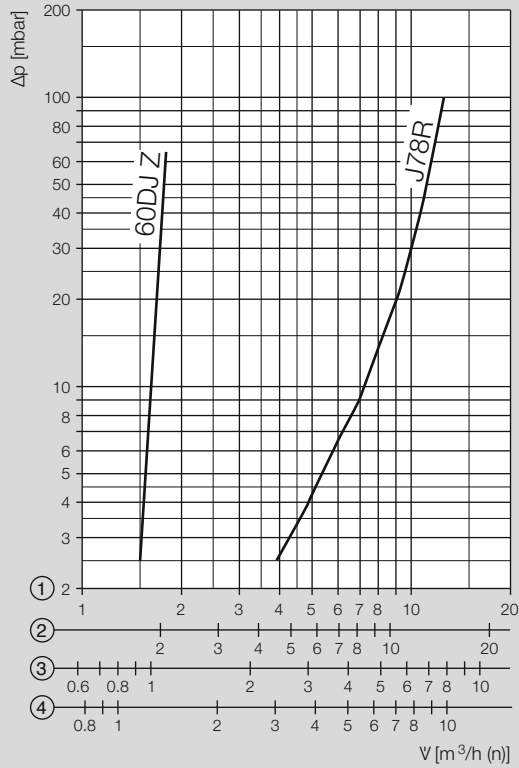


Spring-loaded pressure regulator

The outlet pressure is maintained constant despite changing gas flow rates, depending on the setting of the setpoint spring.

A breather line is not required.

4 Flow rate



① = Gaz Naturel, $d_v = 0,62$

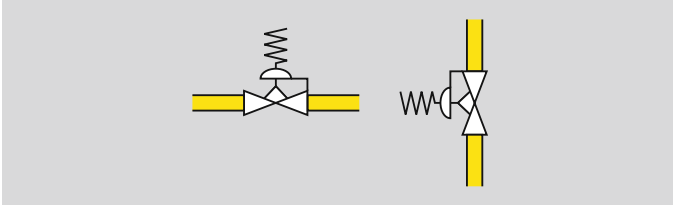
② = Gaz de Ville, $d_v = 0,45$

③ = Gaz de pétrole liquéfié, $d_v = 1,56$

④ = Air, $d_v = 1,00$

5 Project planning information

5.1 Installation



Installation position: spring dome in the vertical upright position or tilted up to the horizontal, not upside down.

Install the unit free of mechanical stress and so that it is not in contact with masonry (min. distance 20 mm).

6 Technical data

Types of gas: town gas, natural gas, LPG (gaseous) and biologically produced methane, J78R..L and 60DJ LZ for air only.

Inlet pressure p_e : up to 100 mbar.

Pressure regulators according to EN 88, Class A, Group 2.

Ambient temperature: -20 to +60°C.

Housing: aluminium,
diaphragms: Perbunan.

J78R

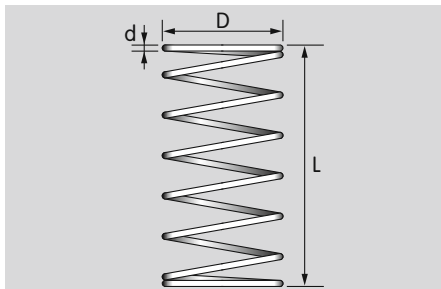
Measuring connection with screw plug Rp 1/8 at the inlet on the right-hand side (option).

Outlet pressure p_a : 6 – 55 mbar.

The outlet pressure p_a is adjusted by inserting different springs, see [spring table]. It is pre-set at the factory to 20 mbar (black spring).

Weight: 0.52 kg.

6.1 Spring table J78R



Outlet pressure range p_a mbar	Marking	D mm	d mm	L mm	Coils	Order No.
6 – 9	green/red	21.8	1.20	40.3	12,5	03089041
9 – 17	yellow	21.8	1.22	42.1	10,0	03089042
15 – 23*	black	21.6	1.22	54.4	11,5	03089043
22 – 31	orange	21.8	1.22	63.5	11,0	03089044
31 – 42	brown	22.0	1.32	65.1	10,5	03089045
42 – 55	light green/light blue	20.9	1.42	40.0	6,5	03089047

* Standard spring

Connecting thread: Rp 1/2 to ISO 7-1, DN 15.

Valve seat: Perbunan,
valve disc: POM.

60DJ Z

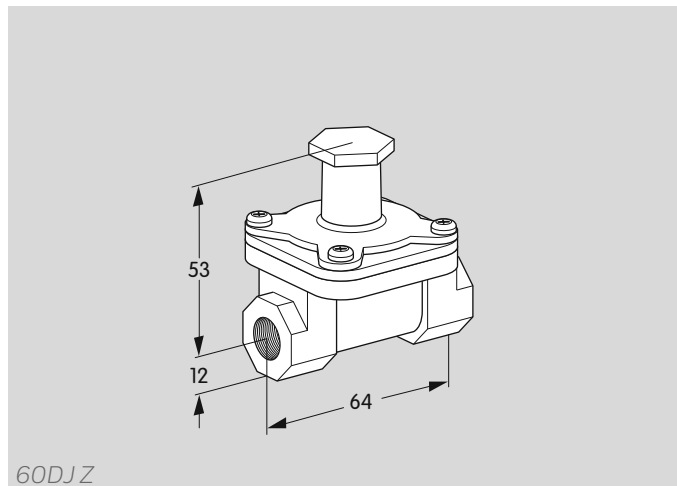
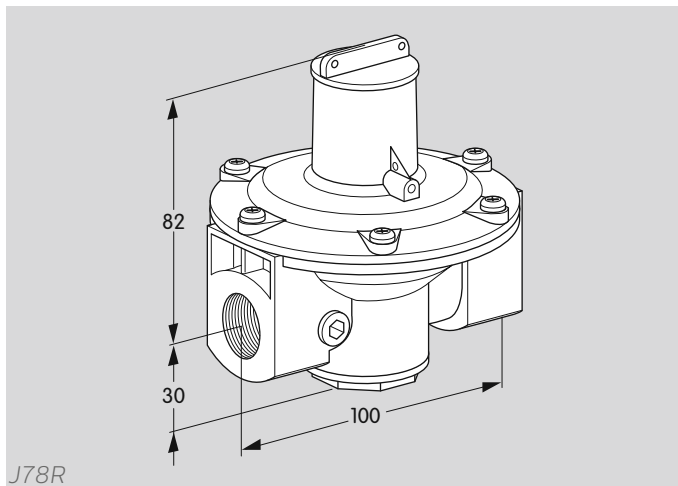
Outlet pressure p_a : 35 – 90 mbar, set to 80 mbar.

Weight: 0.11 kg.

Connecting thread: Rp 1/4 to ISO 7-1, DN 8.

Valve seat: POM,
valve disc: POM.

6.2 Dimensions



Feedback

Finally, we are offering you the opportunity to assess this “Technical Information (TI)” and to give us your opinion, so that we can improve our documents further and suit them to your needs.

Clarity

- Found information quickly
- Searched for a long time
- Didn't find information
- What is missing?
- No answer

Comprehension

- Coherent
- Too complicated
- No answer

Scope

- Too little
- Sufficient
- Too wide
- No answer



Use

- To get to know the product
- To choose a product
- Planning
- To look for information

Navigation

- I can find my way around
- I got “lost”
- No answer

My scope of functions

- Technical department
- Sales
- No answer

Remarks

Contact

Elster GmbH
Postfach 2809 · 49018 Osnabrück
Strothweg 1 · 49504 Lotte (Büren)
Germany

Tel +49 541 1214-0
Fax +49 541 1214-370
info@kromschroeder.com
www.kromschroeder.com

The current addresses of our international agents
are available on the Internet:
www.kromschroeder.de/Weltweit.20.0.html?&L=1

We reserve the right to make technical
modifications in the interests of progress.
Copyright © 2016 Elster GmbH
All rights reserved.

